



LEFROY BROOKS

1 8 2 8 T R O U T M A N S T R E E T  
R I D G E W O O D N E W Y O R K N Y 1 1 3 8 5 U S A  
T: +1(718) 302 5292 F: +1(718) 302 4177

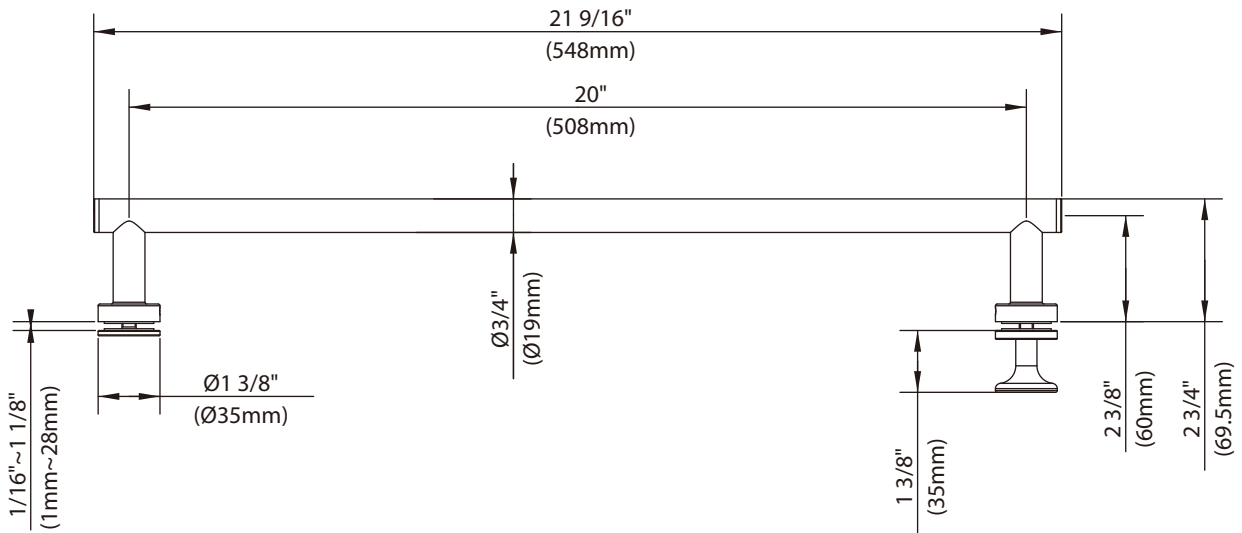
Y1-5470

20" SHOWER DOOR HANDLE

DIMENSIONAL DATA SHEET

DATE: 11 December 2013

No: B96B0100



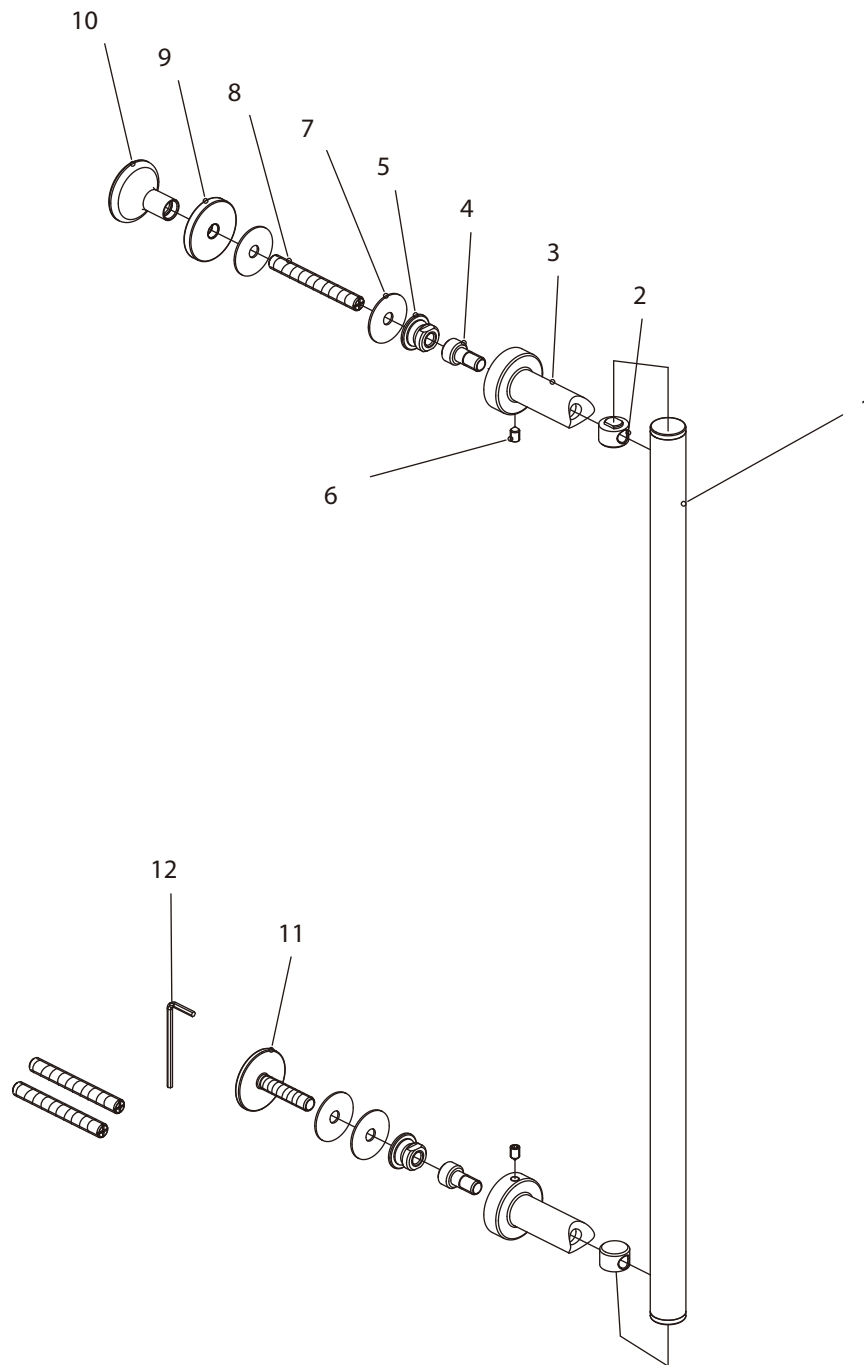
COPYRIGHT © LBIP LTD 2012. ALL RIGHTS RESERVED.

DIMENSIONS IN INCHES & MILLIMETRES

WHILST EVERY EFFORT IS MADE TO ENSURE THE ACCURACY OF THESE DATA SHEETS THEY ARE SUBJECT TO CHANGE WITHOUT NOTICE AS PART OF THE COMPANY'S PRODUCT DEVELOPMENT PROCESS

# Y1-5470

20" SHOWER DOOR HANDLE



- |   |                  |   |                    |    |                    |
|---|------------------|---|--------------------|----|--------------------|
| 1 | Rail (258139)    | 5 | Adaptor (259136)   | 9  | Adaptor (067292)   |
| 2 | Adaptor (259139) | 6 | Set screw (239192) | 10 | Adaptor (259138)   |
| 3 | Bracket (246145) | 7 | Washer (013047)    | 11 | Adaptor (259137)   |
| 4 | Screw (008151)   | 8 | Stud bolt (017094) | 12 | Allen key (031000) |